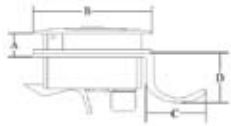


# ACCESS HARDWARE

## SLAM LATCH - INSIDE PULL HANDLE

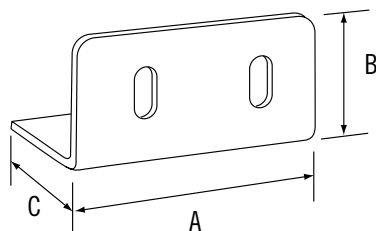
- 316 stainless steel
- Installation screws included
- Inside pull handle and privacy lock
- Key locking
- Bat handle (shown) and slim handle styles available
- Comes with Striker part number M5-C-601-8 and key number M7-88-9121324-S



Part No	Handle	A Max.	B mm	C mm	D mm
M5-22-110-8	Bat handle	14 (1/2")	60 (2 3/8")	29 (1 1/8")	25 (1")
M5-23-110-8	Slim handle	14 (1/2")	60 (2 3/8")	29 (1 1/8")	25 (1")

## OPTIONAL STRIKERS

- Optional strikers to tailor latch function to specific use.



Part No	A mm	B mm	C mm	Striker
M5-99-134	30 (1.18")	25 (1")	10 (.39")	D
M5-C-601-8	33 (1.3")	16 (.63")	12 (.47")	E
M5-C-306-8	32 (1.25")	37 (1.46")	26 (1.02")	F
M5-C-604-8	32 (1.25")	23 (0.91")	12 (0.47")	G
M5-C-605-8	31 (1.22")	18 (0.71")	19 (0.75")	H

## COMPRESSION LATCH - ROUND D-HANDLE

- 316 stainless steel
- Offers 3mm (1/16") compression
- Available in locking or nonlocking
- Red dot indicator for latched position
- Locking version comes with key number M7-8-9121324-S
- Replacement cam M5-C-207-8

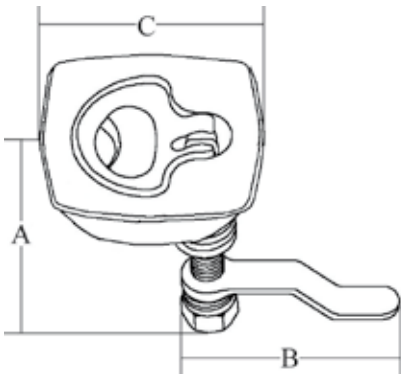


Part No	Model	A mm	B mm	C mm	Cam
M5-81-000-8	W/O Lock	75 (3")	62 (2 7/16")	63 (2 1/2")	Yes
M5-81-100-8	W/ Lock	75 (3")	62 (2 7/16")	63 (2 1/2")	Yes
M5-82-000-8	W/O Lock	84 (3 5/16")	-	78 (3 1/16")	No
M5-82-100-8	W/ Lock	84 (3 5/16")	-	78 (3 1/16")	No

# ACCESS HARDWARE

## COMPRESSION LATCH - SQUARE D-HANDLE

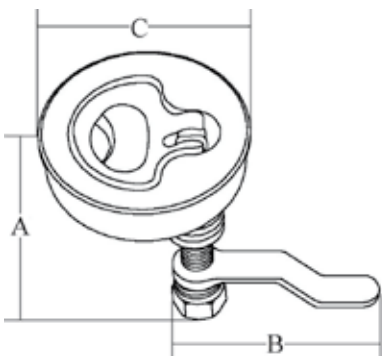
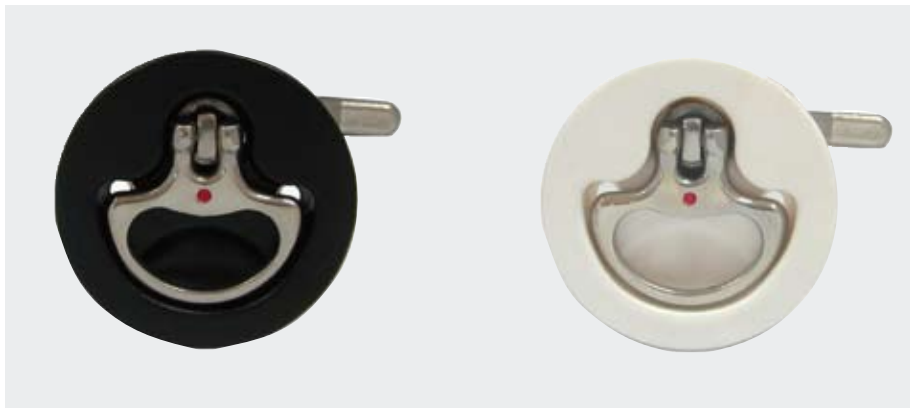
- 316 stainless steel
- Red mark indicator for latched position
- Offers 3mm (1/16") compression
- Available in locking or nonlocking
- Locking version comes with key M7-88-9121324-S
- Replacement cam M5-C-207-8



Part No	Model	A mm	B mm	C mm	Cam
M5-83-100-8-18	W/Lock	75 (3")	62 (2 7/16")	63 (2 1/2")	Yes
M5-83-000-8-18	W/O Lock	75 (3")	62 (2 7/16")	63 (2 1/2")	Yes

## COMPRESSION LATCH - D-HANDLE NYLON HOUSING

- Nylon housing with 316 stainless steel handle
- Red mark indicator for latched position
- Offers 3mm (1/16") compression
- Replacement cam M5-C-207-8



Part No	Color	A mm	B mm	C mm	Cam
M5-81-000-3	Black	75 (3")	62 (2 7/16")	64 (2 1/2")	Yes
M5-81-000-5	White	75 (3")	62 (2 7/16")	64 (2 1/2")	Yes